

NOTES

1. ターミナル及びネイル平坦度は 0.1 MAX.
TERMINAL AND NAIL COPLANARITY TO BE 0.1 MAX.

カード装着状態 CARD INSERTION STATE	プロテクトスイッチ PROTECT SWITCH		ディテクトスイッチ DETECT SWITCH
	書き込み禁止状態 READ-ONLY	書き込み可能状態 WRITE ENABLE	
カード未装着 CARD UNINSERTION	クローズ CLOSE	クローズ CLOSE	クローズ CLOSE
カード装着 CARD INSERTION	クローズ CLOSE	オープン OPEN	オープン OPEN

3. 本製品は 54768-0902 の鉛フリー品である。
THIS PRODUCT IS LEAD FREE OF 54768-0902.

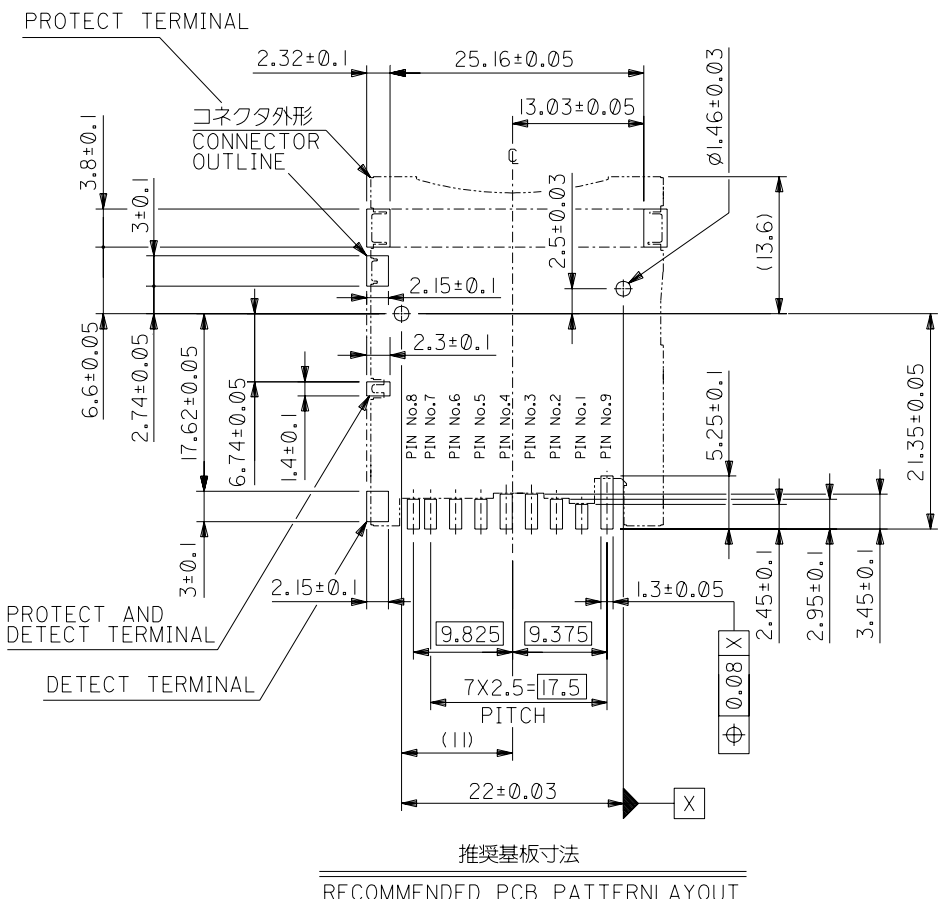
EC NO. DRWN: CHK: APPR:	EC NO. DRWN: CHK: APPR:	EC NO. DRWN: CHK: APPR:	EC NO. DRWN: CHK: APPR:	EC NO. DRWN: CHK: APPR:

RELEASED
EC NO. J2004-4339
DRWN: H. KAWABATA 04/05/19
CHK: K. TOJO 04/05/19
APPR: M. SASAO 04/05/19

MATERIAL 材料	表記参照 SEE CHART
FINISH 仕上げ	表記参照 SEE CHART
WIRE RANGE 適用電線範囲	#
INS. RANGE 被覆外径	#

GENERAL TOLERANCES: (UNLESS SPECIFIED) 一般公差	SCALE 2 : 1	DESIGN UNITS <input checked="" type="checkbox"/> mm <input type="checkbox"/> INCH
10 UNDER 未満	±0.2	DRAWN BY & DATE H. KAWABATA 04/05/19 CHECKED BY & DATE K. TOJO 04/05/19 APPROVED BY & DATE M. SASAO 04/05/19
10 OVER 30 UNDER 未満	±0.25	
30 OVER 以上	±0.3	
ANGLE 角度	±3°	

MODEL NO. 54768-***72	DIMENSIONS: <input type="checkbox"/> mm <input type="checkbox"/> INCH <input checked="" type="checkbox"/> mm ONLY	SHT 9	REV CIRCUIT
TITLE: SD MEMORY CARD CONN. EJECT MECHANISM FOR PUSH/PUSH ASS'Y (REVERSE TYPE) -LEAD FREE-	APPROVED BY & DATE M. SASAO 04/05/19	MOLEX INCORPORATED	
CAD FILENAME SD-54768-012.S01	MATERIAL NO. SEE CHART	DRAWING NO. SD-54768-012	SHEET NO. 1 OF 2
THIS DRAWING CONTAINS INFORMATION THAT IS PROPRIETARY TO MOLEX INCORPORATED AND SHOULD NOT BE USED WITHOUT WRITTEN PERMISSION.			SIZE B

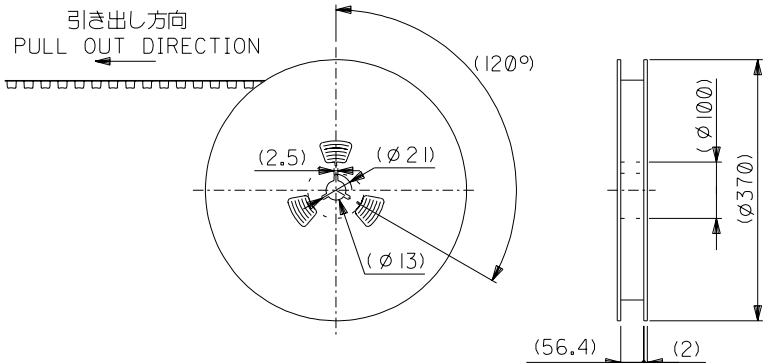


NO.	PARTS	QTY	MATERIAL	FINISHE
⑩	ネイル NAIL	2	銅合金 COPPER ALLOY	錫メッキ TIN PLATING
⑨	ディテクトターミナル DETECT TERMINAL	1	銅合金 COPPER ALLOY	接点部:金メッキ SELECTIVE GOLD PLATING
⑧	プロテクト & ディテクトターミナル PROTECT AND DETECT TERMINAL	1	銅合金 COPPER ALLOY	接点部:金メッキ SELECTIVE GOLD PLATING
⑦	プロテクトターミナル PROTECT TERMINAL	1	銅合金 COPPER ALLOY	接点部:金メッキ SELECTIVE GOLD PLATING
⑥	スプリング SPRING	1	ピアノ線 SWP	—
⑤	ピン PIN	1	ステンレス鋼 STAINLESS STEEL	—
④	金属カバー METAL COVER	1	ステンレス鋼 STAINLESS STEEL	—
③	ターミナル TERMINAL	9	銅合金 COPPER ALLOY	接点部:金メッキ SELECTIVE GOLD PLATING
②	スライダカム SLIDER CAM	1	耐熱樹脂, UL94V-0 色:黒 HEAT RESISTANCE POLYMER UL94V-0, BLACK	—
①	ハウジング HOUSING	1	耐熱樹脂, UL94V-0 色:黒 HEAT RESISTANCE POLYMER UL94V-0, BLACK	—

DO NOT SCALE DRAWING

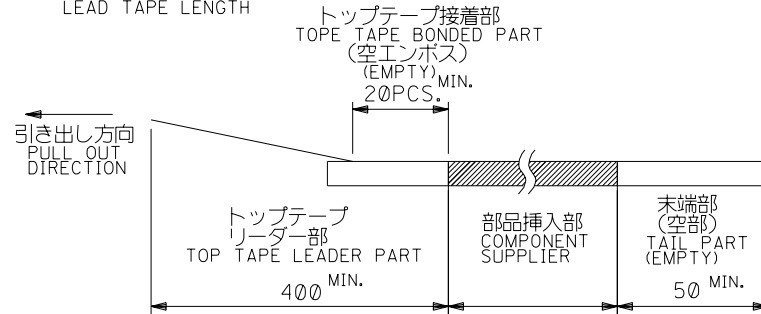
EC NO. DRWN: CH'K: APPR:	EC NO. DRWN: CH'K: APPR:	EC NO. DRWN: CH'K: APPR:	EC NO. DRWN: CH'K: APPR:	EC NO. DRWN: CH'K: APPR:	RELEASED EC NO. J2004-4339 DRWN: H. KAWABATA '04/05/20 CH'K: K. TOJO '04/05/20 APPR: M. SASAO '04/05/20	MATERIAL 材料 表記参照 SEE CHART	FINISH 仕上げ 表記参照 SEE CHART	WIRE RANGE 適用電線範囲 —	INS. RANGE 被覆外径 —	GENERAL TOLERANCES: (UNLESS SPECIFIED) 一般公差 10 UNDER 未満 ±0.2 10 OVER 以上 30 UNDER 未満 ±0.25 30 OVER 以上 ±0.3 ANGLE 角度 ±3°	SCALE 2:1 DESIGN UNITS 第三角投影 DRAWN BY & DATE H.KAWABATA '04/05/20 CHECKED BY & DATE K.TOJO '04/05/20 APPROVED BY & DATE M.SASAO '04/05/20 CAD FILENAME SD-54768-012.S02	MODEL NO. 54768-**72 TITLE: SD MEMORY CARD CONN. EJECT MECHANISM FOR PUSH/PUSH ASS'Y (REVERSE TYPE) -LEAD FREE- MOLEX INCORPORATED	DIMENSIONS: <input type="checkbox"/> mm <input type="checkbox"/> INCH <input checked="" type="checkbox"/> mm ONLY SHT REV REVISION ON CAD ONLY	MATERIAL NO. SEE CHART DRAWING NO. SD-54768-012 SHEET NO. 2	THIS DRAWING CONTAINS INFORMATION THAT IS PROPRIETARY TO MOLEX INCORPORATED AND SHOULD NOT BE USED WITHOUT WRITTEN PERMISSION. SIZE B
-----------------------------	-----------------------------	-----------------------------	-----------------------------	-----------------------------	---	----------------------------------	---------------------------------	------------------------	----------------------	--	--	--	--	---	--

8 7 6 5 4 3 2 1



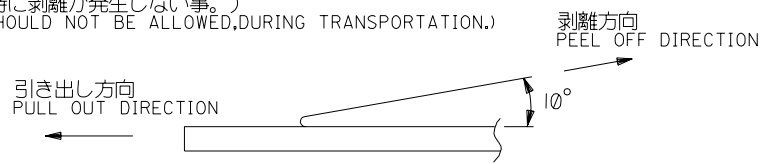
注)
NOTES

- 製品番号 54768-0972 詳細寸法については、製品単体図面を参照下さい。
IN THE PACKAGE PART NUMBER 54768-0972 DETAILED DIMENSIONS, SEE SALES DRAWING FOR CONNECTOR.
- 梱包数量：400個/リール
NUMBER OF CONNECTORS:400 PCS/REEL.
- リードテープ長さ
LEAD TAPE LENGTH



- トップテープの剥離強度：(剥離方向は下図参照)
PEELING OFF FORCE OF TOP TAPE (PELLING DIRECTION AS SHOWN IN FOLLOWING FIGURE.)
0.1~1.3N {10~130gf}

尚、本規格値は、出荷時に適用。
THIS REQUIREMENT SHOULD BE APPLIED AT SHIPMENT.
(但し、輸送時に剥離が発生しない事。)
(PEEL OFF SHOULD NOT BE ALLOWED, DURING TRANSPORTATION.)



- 材料
MATERIAL
キャリアテープ：ポリプロピレン (PP)
CARRIER TAPE: POLYPROPYLENE (PP)
トップテープ：PET, PE, PEF
TOP TAPE: PET, PE, PEF
リール：紙
REEL: CARD BOARD

- 本製品は54768-0907の鉛フリー品である。
THIS PRODUCT IS LEAD FREE OF 54768-0907.

54768-0977
製品番号
MATERIAL NO.

DO NOT SCALE DRAWING

EC NO. DRAWN: CHK: APPR:	EC NO. DRAWN: CHK: APPR:	EC NO. DRAWN: CHK: APPR:	EC NO. DRAWN: CHK: APPR:	EC NO. DRAWN: CHK: APPR:	RELEASED ECNNO. J2004-4339 DRAWN: H. KAWABATA '04/05/20 CHK: K. TOJO '04/05/20 APPR: M. SASAO '04/05/20	MATERIAL 材料 注記参照 SEE NOTES	GENERAL TOLERANCES: (UNLESS SPECIFIED) 一般公差	SCALE NONE	MODEL NO. 54768-**-77	DIMENSIONS: <input type="checkbox"/> mm <input type="checkbox"/> INCH <input checked="" type="checkbox"/> mm <input type="checkbox"/> INCH	SHT REV	
					FINISH 仕上げ 注記参照 SEE NOTES	WIRE RANGE 適用電線範囲	DRAWN BY & DATE H. KAWABATA '04/05/20	DESIGN UNITS <input checked="" type="checkbox"/> mm <input type="checkbox"/> INCH	THIRD ANGLE PROJECTION	TITLE: 54768-0972 TAPING PACKAGE -LEAD FREE-	SHT REV	
					WIRE RANGE 適用電線範囲	INS. RANGE 被覆外径	CHECKED BY & DATE K. TOJO '04/05/20	DRAWN BY & DATE H. KAWABATA '04/05/20	MOLEX	MOLEX INCORPORATED	SHT REV	
					REV	CAD FILENAME SD-54768-013.S01	APPROVED BY & DATE M. SASAO '04/05/20	CAD FILENAME SD-54768-013.S01	MATERIAL NO. SEE CHART	DRAWING NO. SD-54768-013	SHEET NO. 1 OF 2	
											THIS DRAWING CONTAINS INFORMATION THAT IS PROPRIETARY TO MOLEX INCORPORATED AND SHOULD NOT BE USED WITHOUT WRITTEN PERMISSION.	SIZE B

DWG. NO.
SD-54768-013

F

D

C

B

DO NOT SCALE DRAWING

8 7 6 5 4 3 2 1

F

E

D

C

B

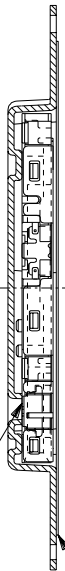
A

56巾テープ
56 WIDTH TAPE

(36)
PITCH

X

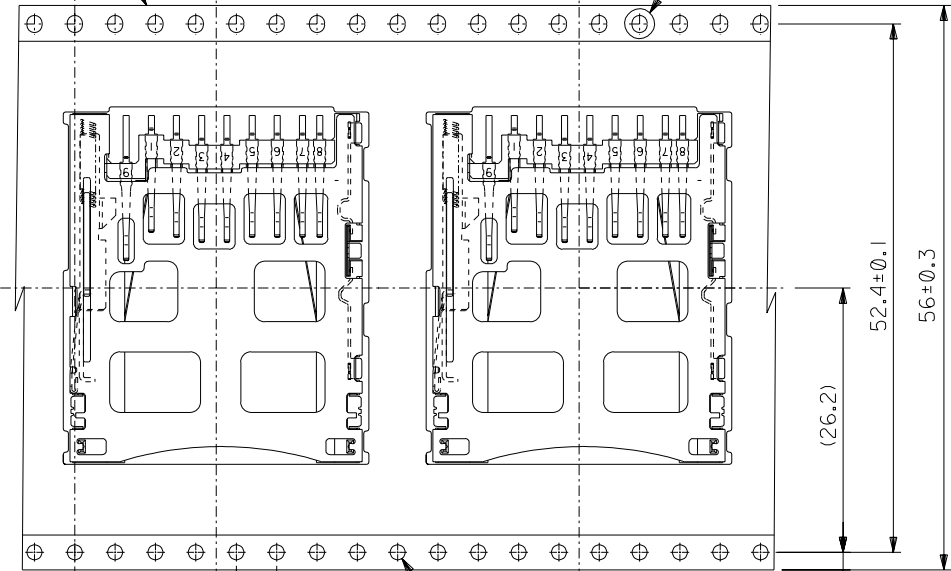
Y



54768-0972
CONN. ASS'Y

トップテープ
TOP TAPE

断面 X-X
SECTION X-X



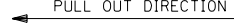
(2)

4 ± 0.1

∅ 1.5^{+0.1}₀

累積ピッチ : 40 ± 0.2
ACCUMULATIVE PITCH : 40 ± 0.2

引き出し方向
PULL OUT DIRECTION

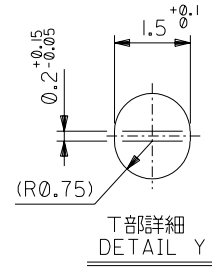


(26.2)

52.4 ± 0.1

56 ± 0.3

1.75 ± 0.1



下音階詳細
DETAIL Y

EC NO. DRWN: CHK: APPR:	EC NO. DRWN: CHK: APPR:	EC NO. DRWN: CHK: APPR:	EC NO. DRWN: CHK: APPR:	EC NO. DRWN: CHK: APPR:
0	0	0	0	0

RELEASED
ECNNO. J2004-4339
DRWN:H.KAWABATA '04/05/20
CHK: K.TOJO '04/05/20
APPR:M.SASAO '04/05/20

MATERIAL 材料	#
FINISH 仕上げ	#
WIRE RANGE 適用線径範囲	#
INS. RANGE 被覆外径	#

GENERAL TOLERANCES: (UNLESS SPECIFIED) 一般公差	10 UNDER 未満	±0.2
	10 OVER 30 UNDER 以上 未満	±0.25
	30 OVER 以上	±0.3
ANGLE 角度		±3°

MODEL NO. DESIGN UNITS	54768-***77 mm INCH	DIMENSIONS: mm INCH	SHT	REV
SCALE	NONE	THIRD ANGLE PROJECTION		
DRAWN BY & DATE H.KAWABATA '04/05/20	TITLE: 54768-0972 TAPING PACKAGE			
CHECKED BY & DATE K.TOJO '04/05/20	-LEAD FREE-			
APPROVED BY & DATE H. Sasao '04/05/20	MOLEX INCORPORATED			
CAD FILENAME SD-54768-013.S02	MATERIAL NO. SEE CHART	DRAWING NO. SD-54768-013	SHEET NO. 2	
THIS DRAWING CONTAINS INFORMATION THAT IS PROPRIETARY TO MOLEX INCORPORATED AND SHOULD NOT BE USED WITHOUT WRITTEN PERMISSION.				SIZE B

8 7 6 5 4 3 2 1 EN-02J(097) MXJ-54